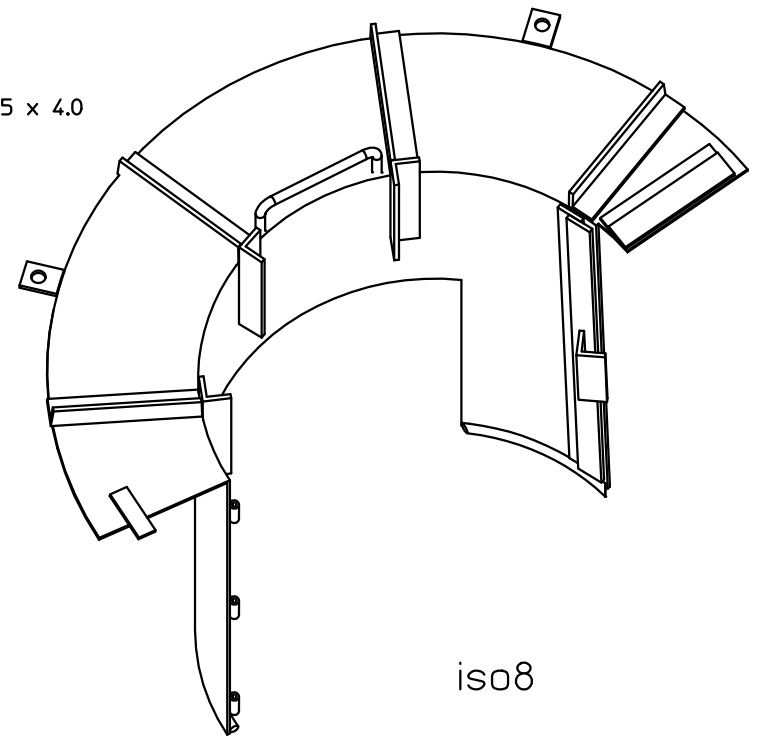
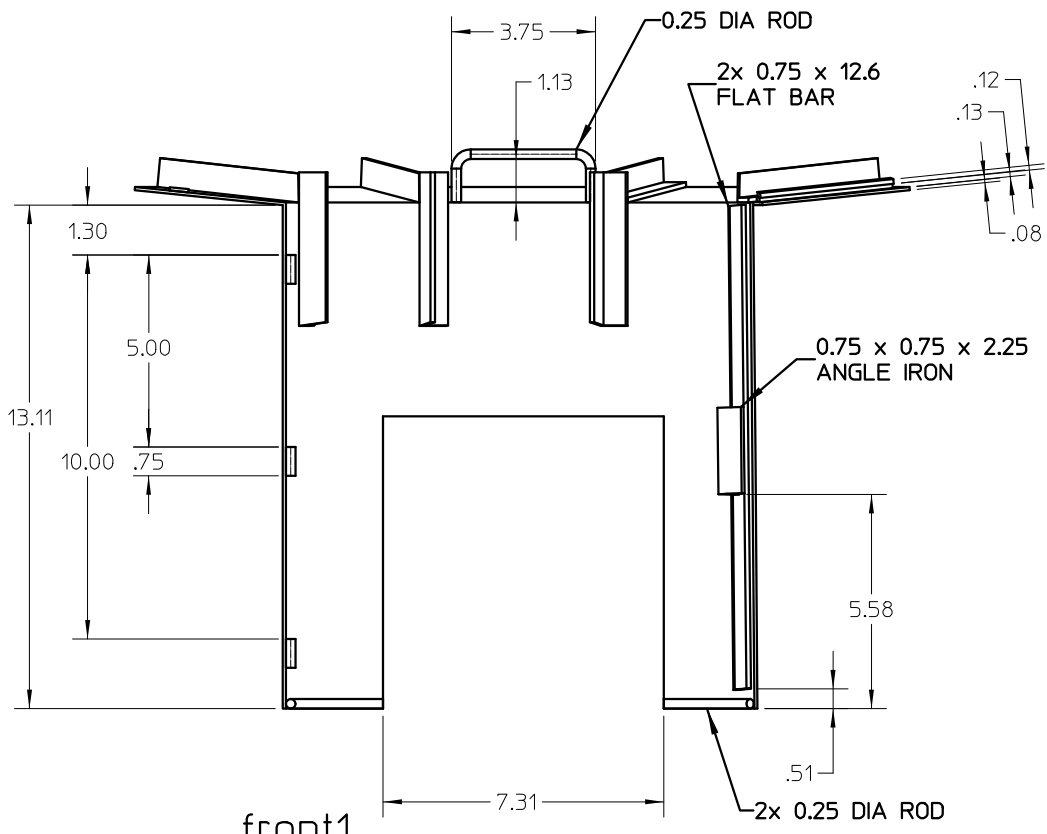


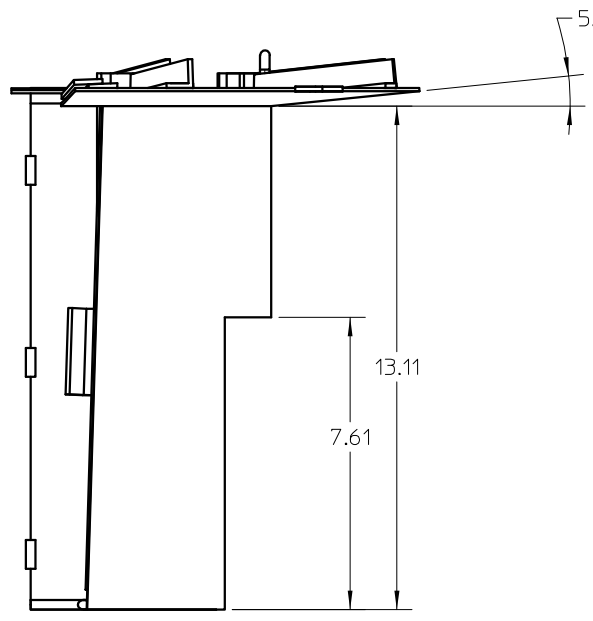
top1



iso8

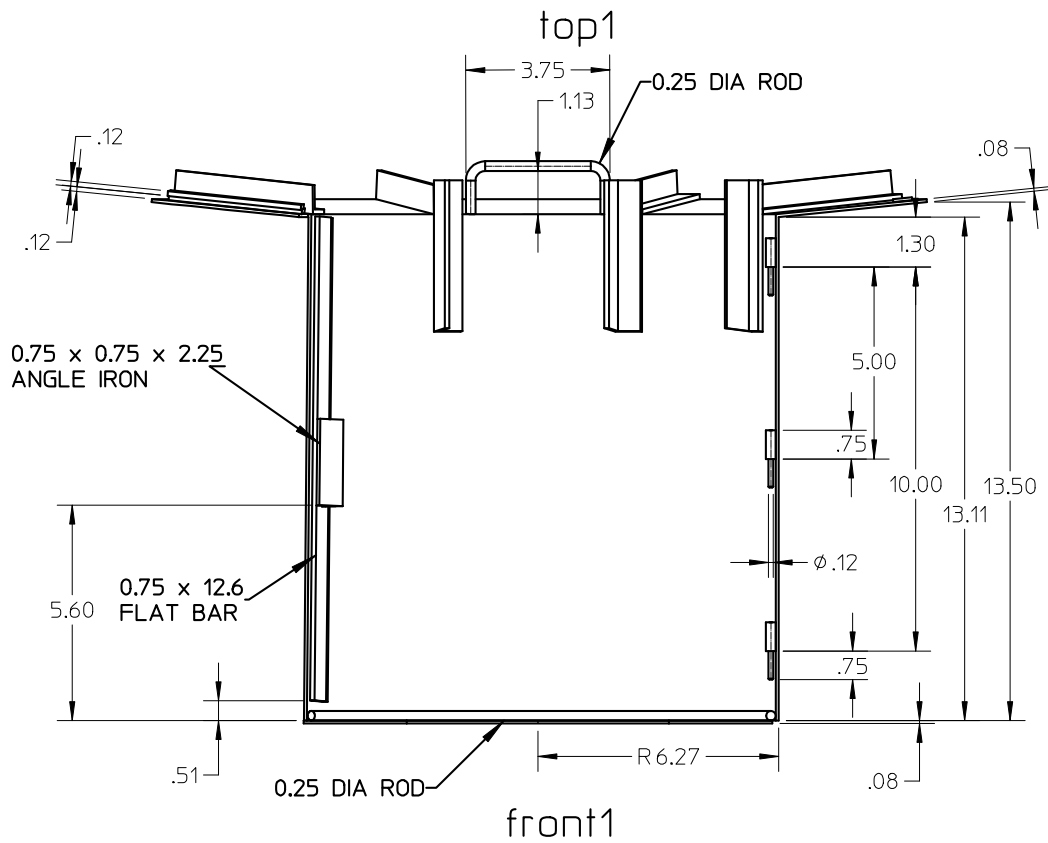
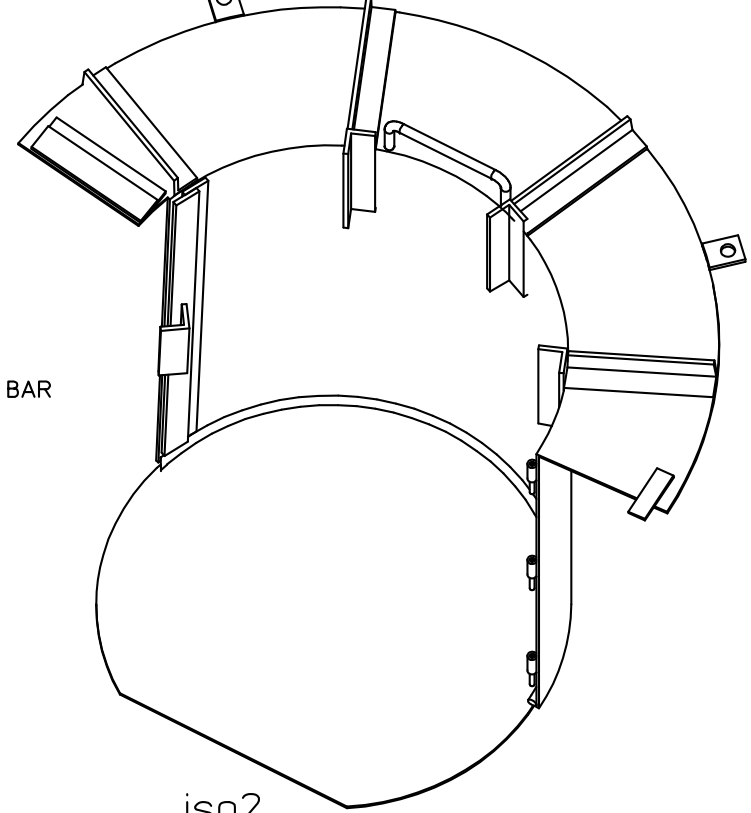
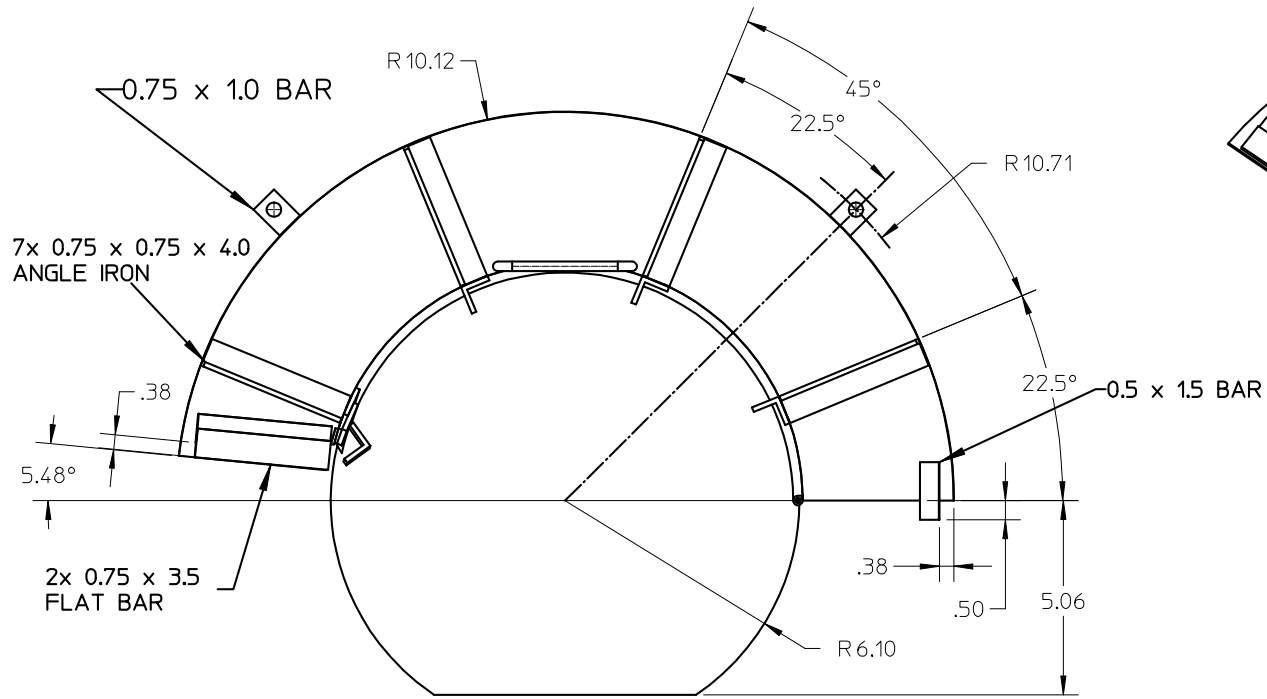


front1

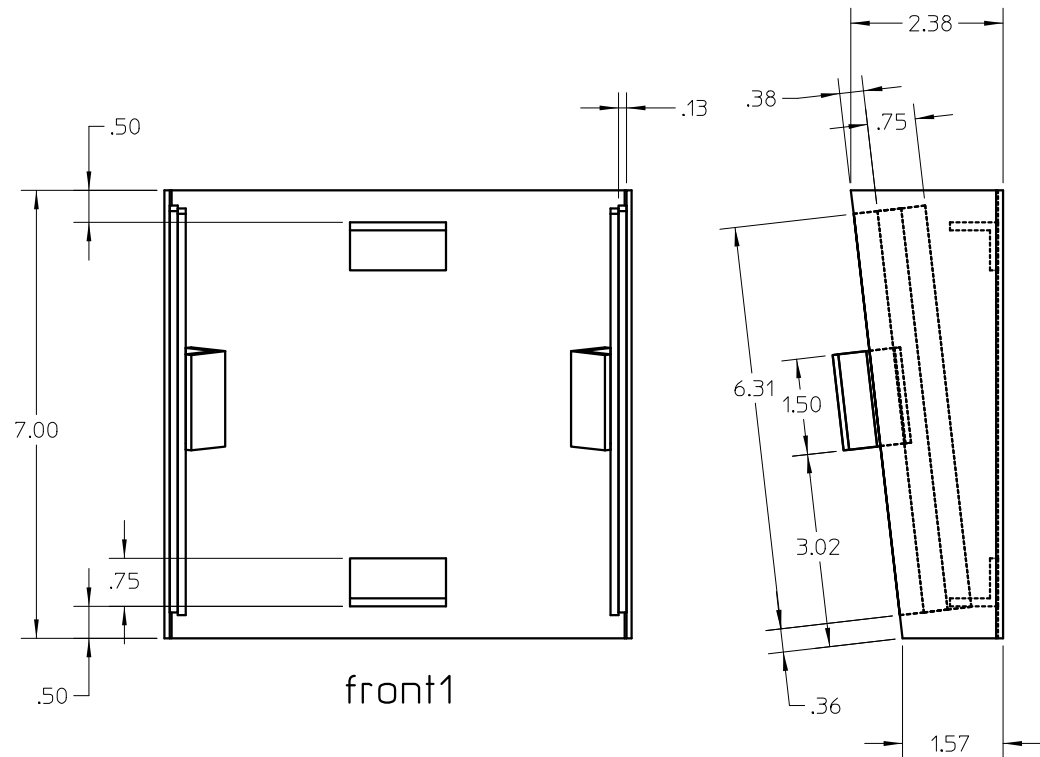


right1

ECOCINA MOLD CORE, MOVING DEC 21, 2010

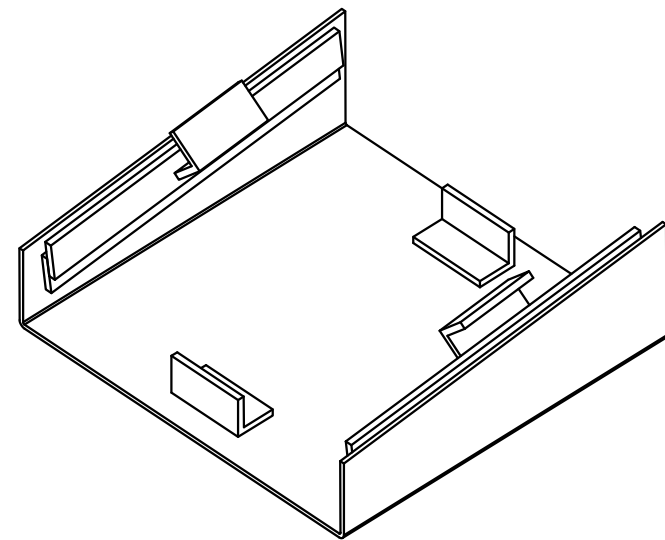


ECOCINA MOLD
 CORE, STATIONARY
 DEC 21, 2010

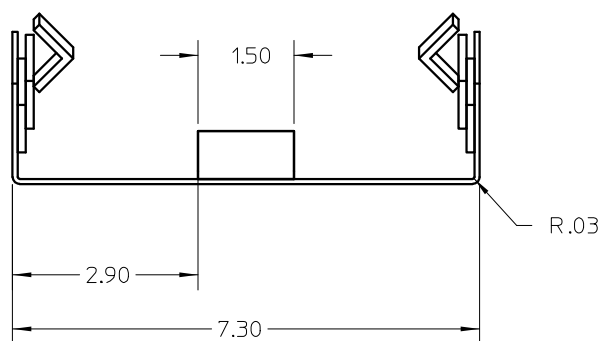


front1

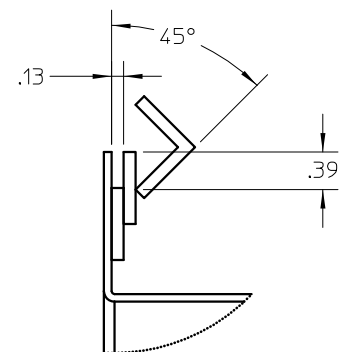
right1



gen1

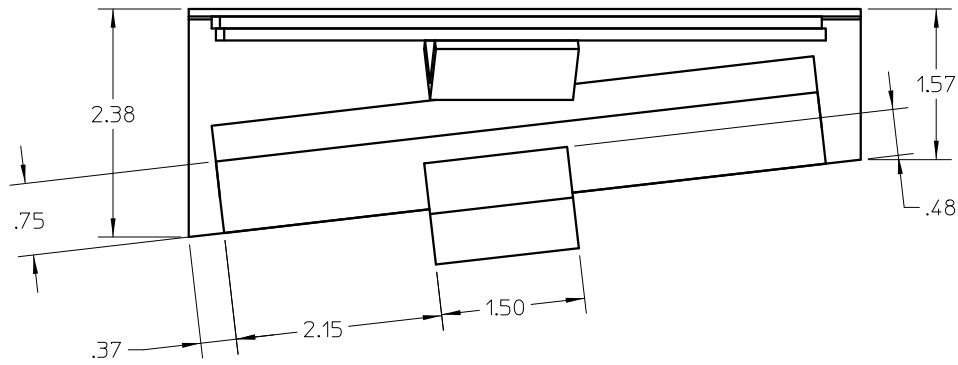


bottom1

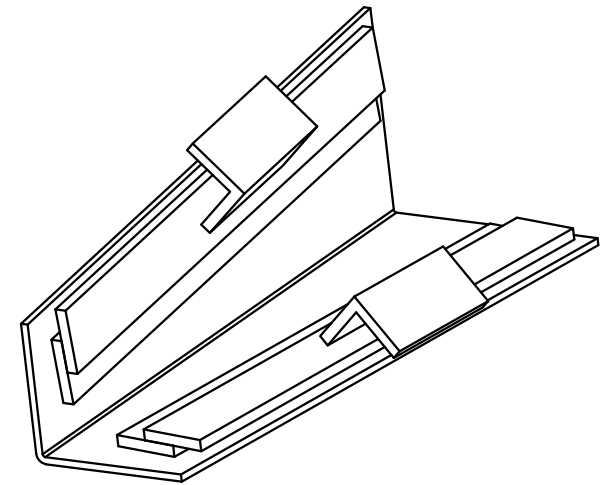


Detail1
Scale 1:2

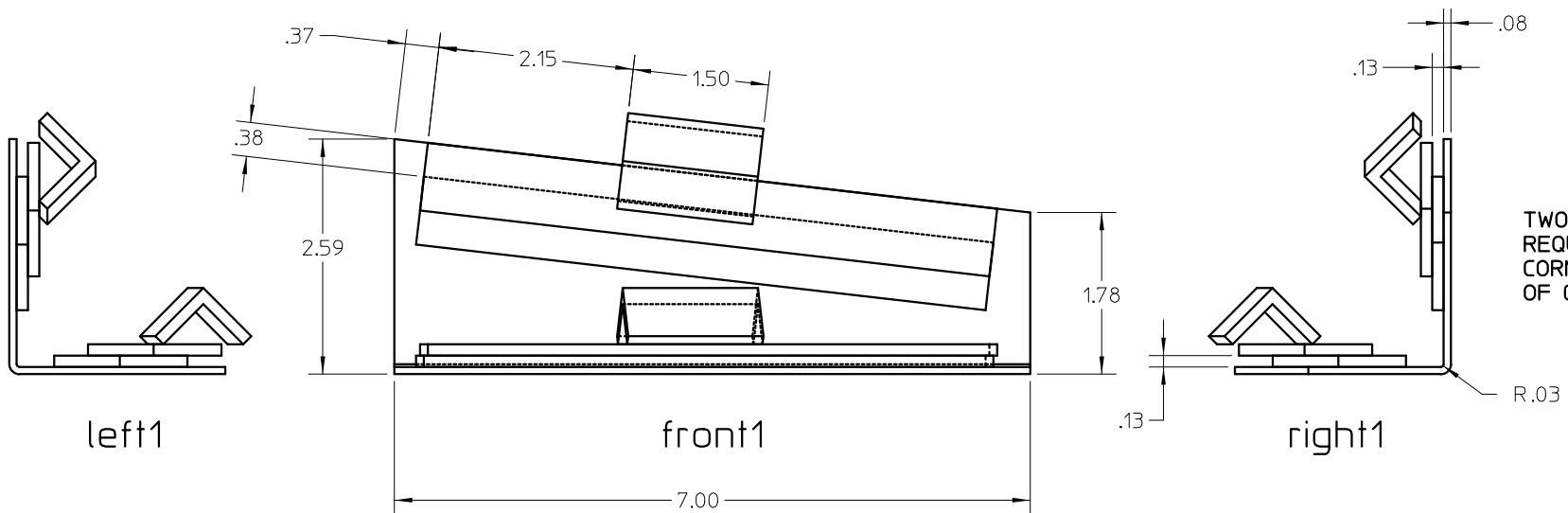
ECOCINA MOLD
FIREBOX CORE, BOTTOM
DEC 21, 2010



top1



gen1



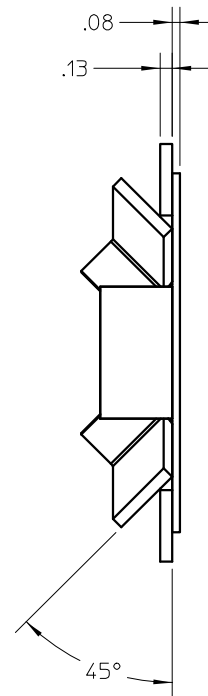
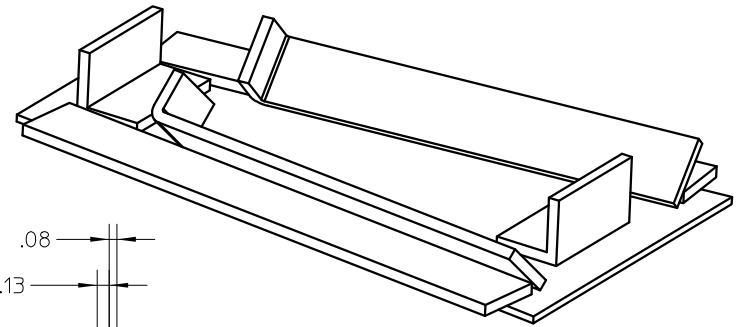
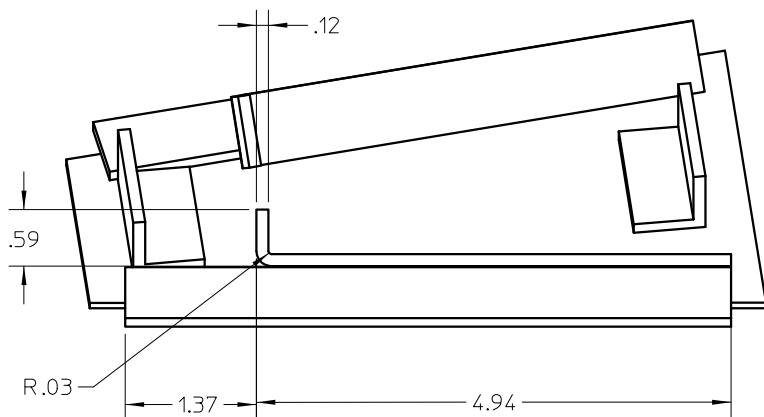
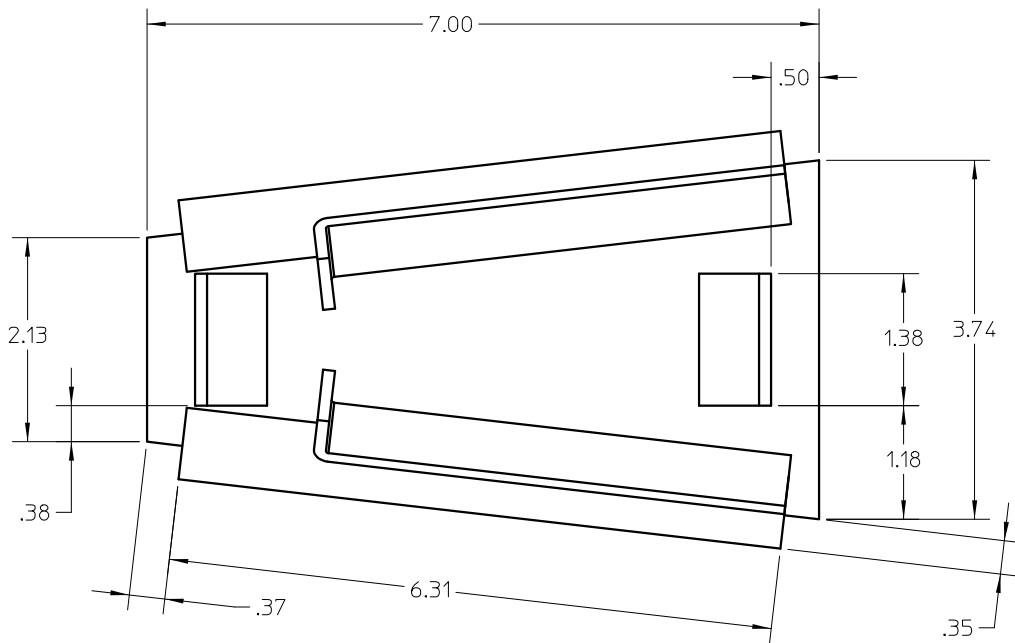
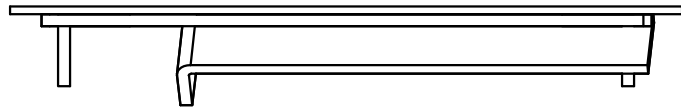
left1

front1

right1

TWO OPPOSITE CORNERS
REQUIRED, MAKE OTHER
CORNER A MIRROR COPY
OF CORNER SHOWN

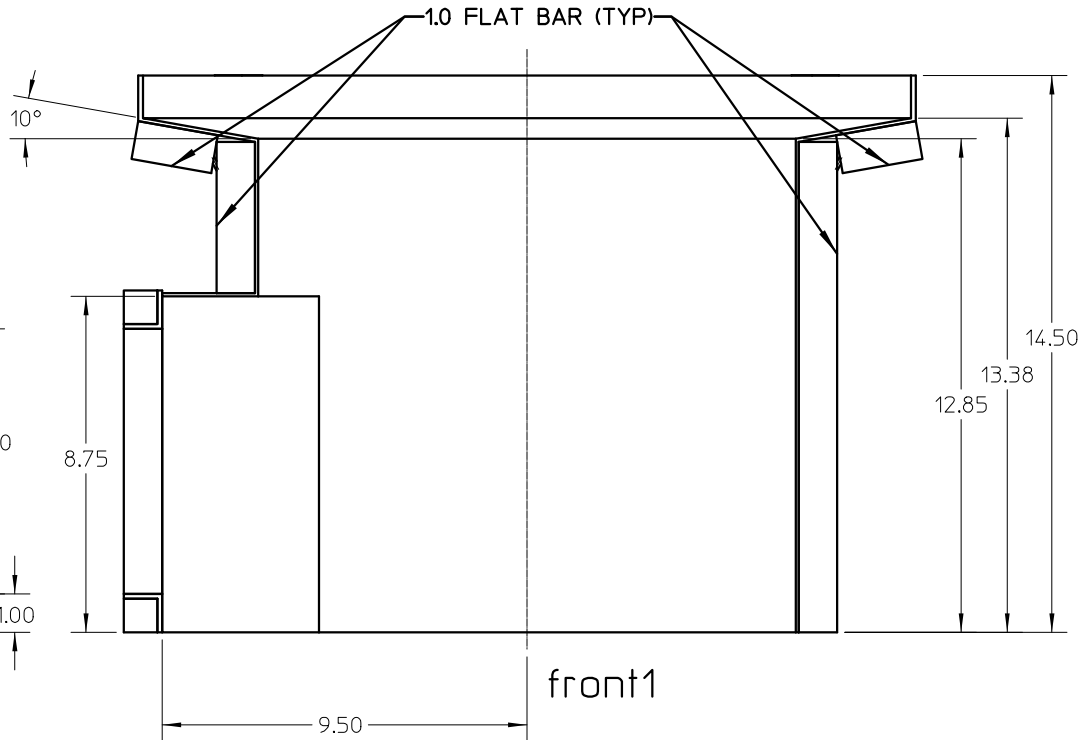
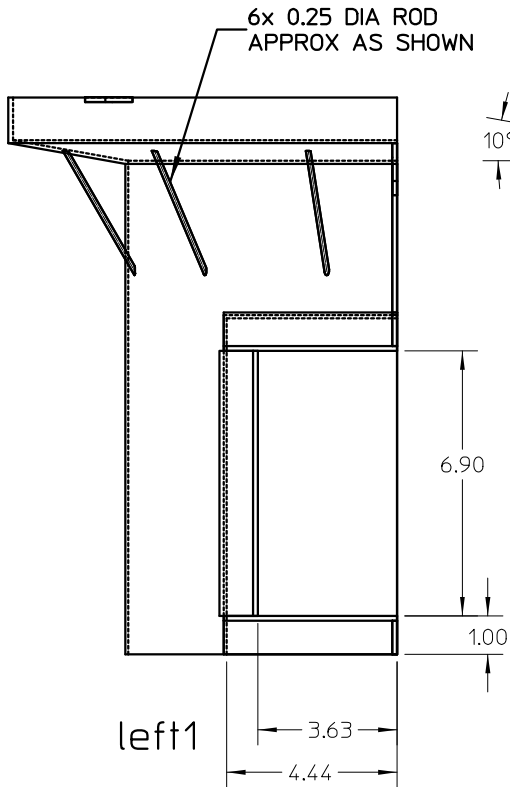
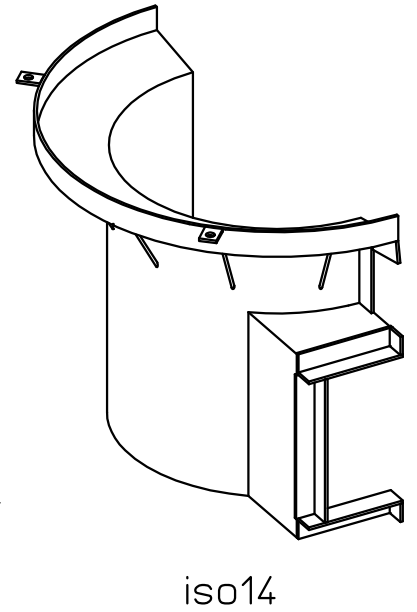
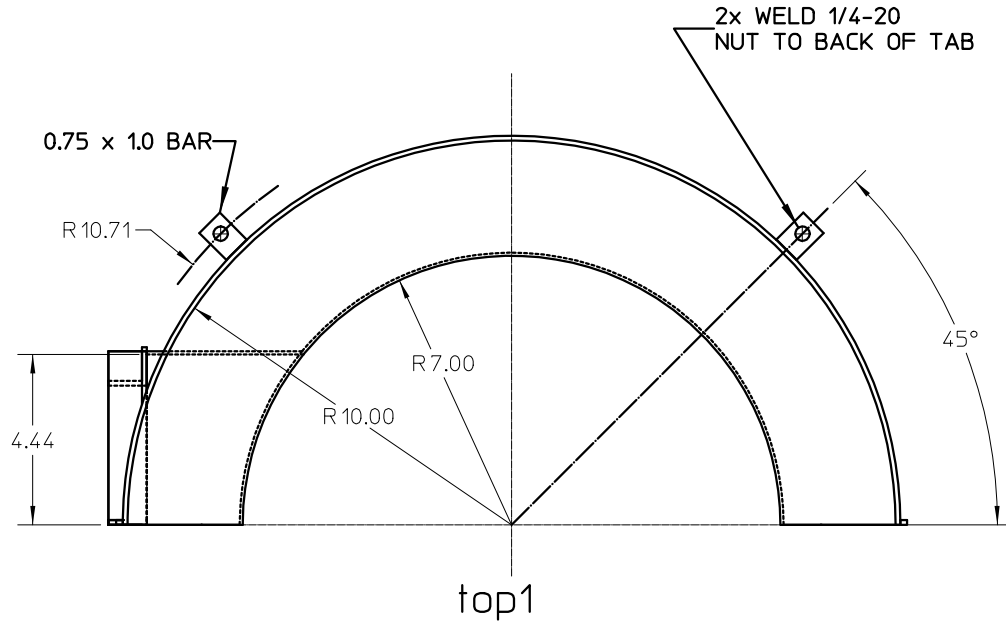
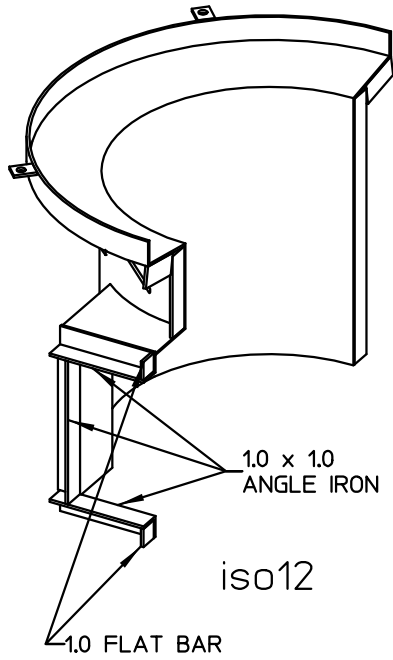
ECOCINA MOLD
FIREBOX CORE, CORNER
DEC 21, 2010



gen1

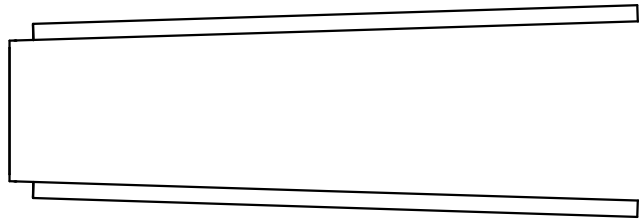
right1

ECOCINA MOLD
FIREBOX CORE, SIDE
3 PIECES REQ'D PER MOLD
DEC 21, 2010

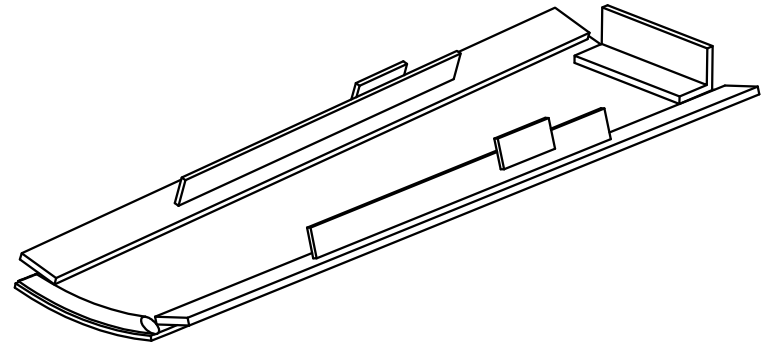


TWO MATCHING SHELLS
REQUIRED, MAKE OTHER
SHELL A MIRROR COPY
OF SHELL SHOWN

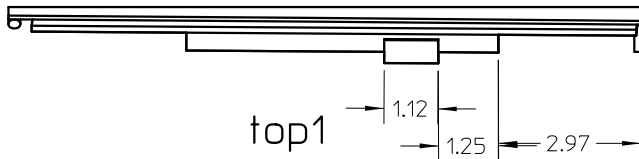
ECOCINA MOLD
SHELL, HALF
DEC 21, 2010



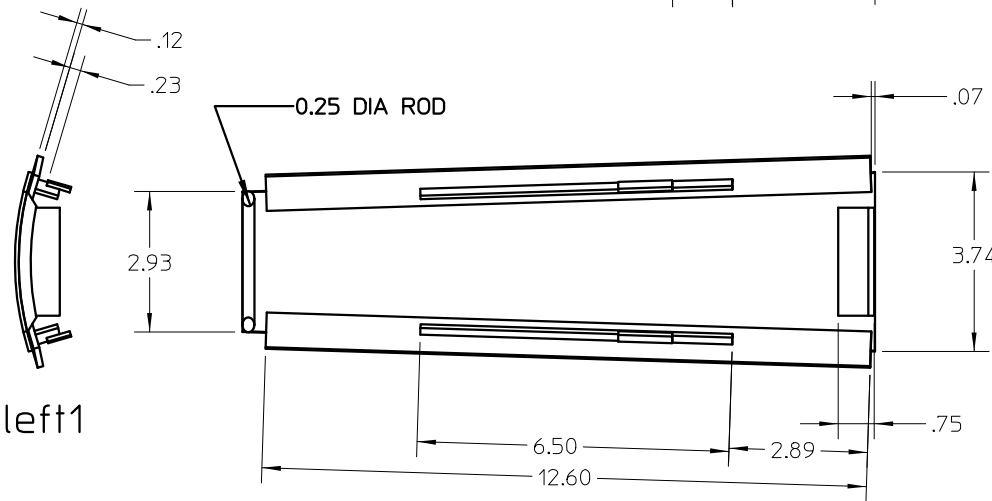
back1



gen1

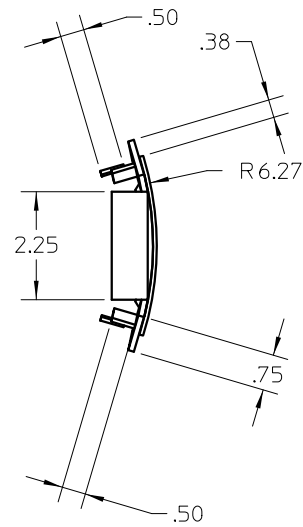


top1

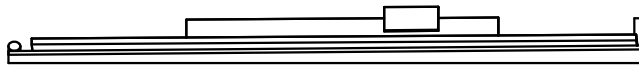


left1

front1



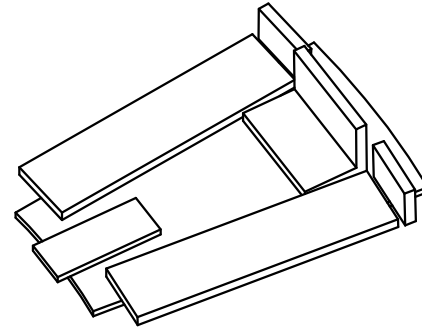
right1



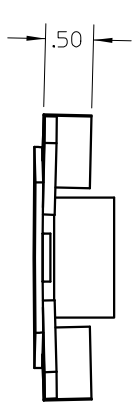
bottom1



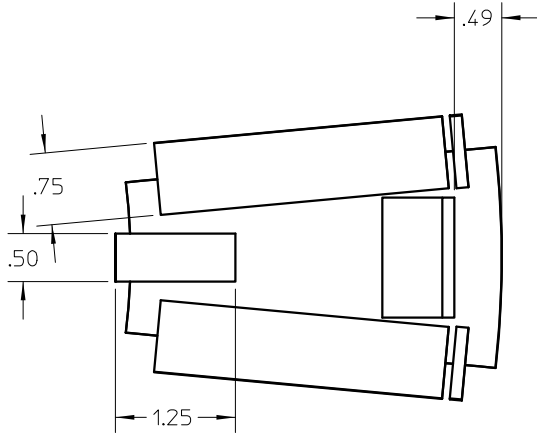
top1



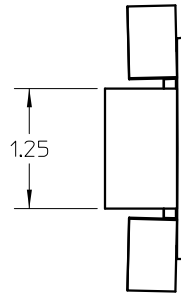
gen1



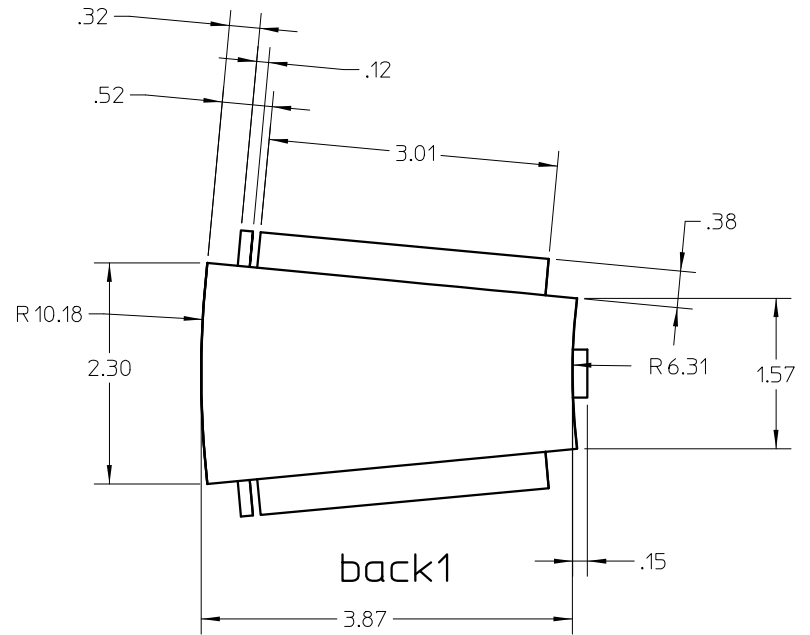
left1



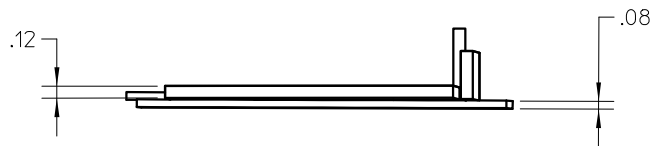
front1



right1



back1



bottom1

ECOCINA MOLD
SHELL INSERT, UPPER
DEC 21, 2010